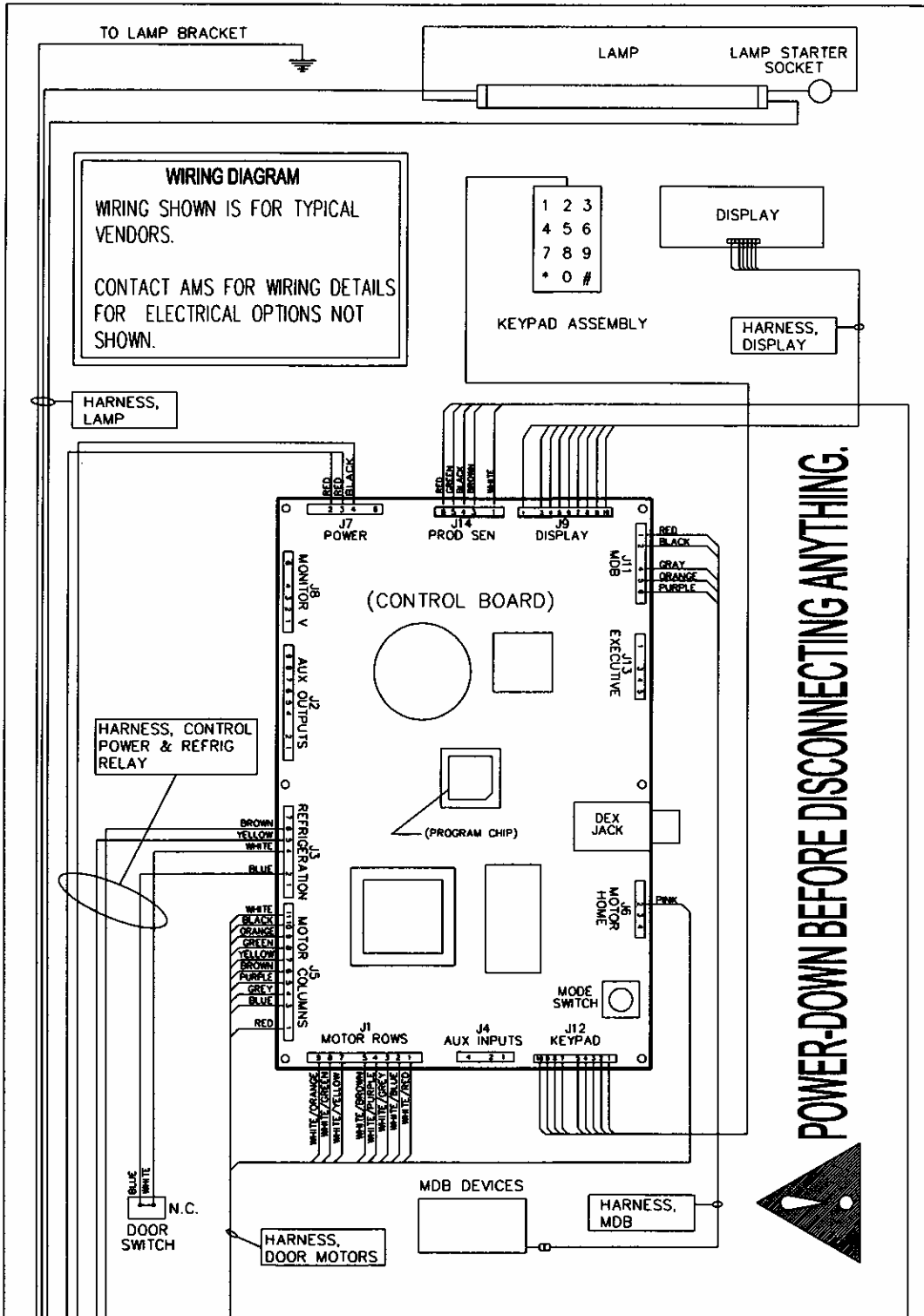


# 9.0 WIRING DIAGRAM



**WIRING DIAGRAM**  
 WIRING SHOWN IS FOR TYPICAL VENDORS.  
 CONTACT AMS FOR WIRING DETAILS FOR ELECTRICAL OPTIONS NOT SHOWN.

**POWER-DOWN BEFORE DISCONNECTING ANYTHING.**

Figure 9.1 Typical Wiring Diagram, Sheet 1 of 4

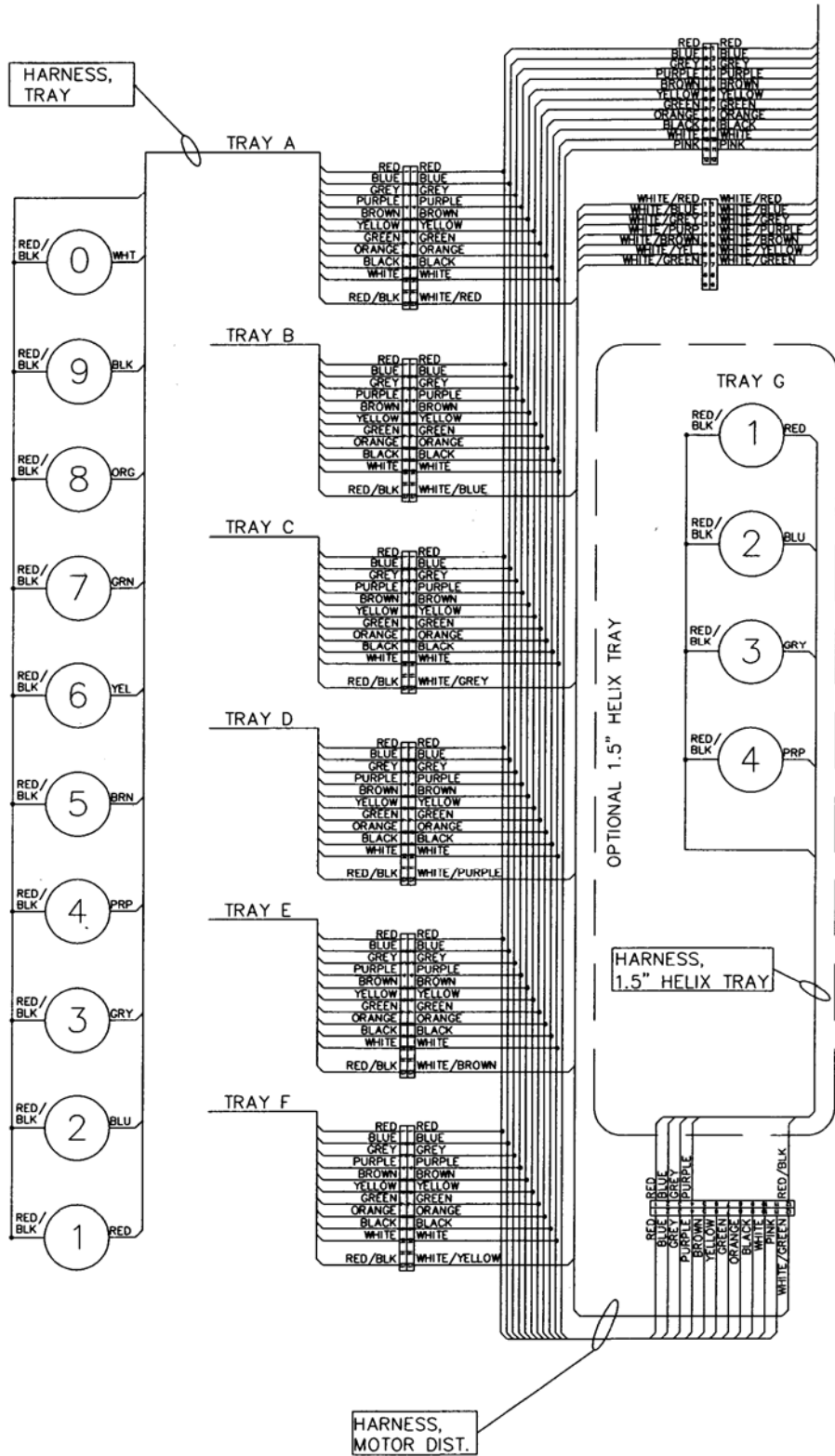


Figure 9.1 Wiring Diagram, Sheet 2 of 4

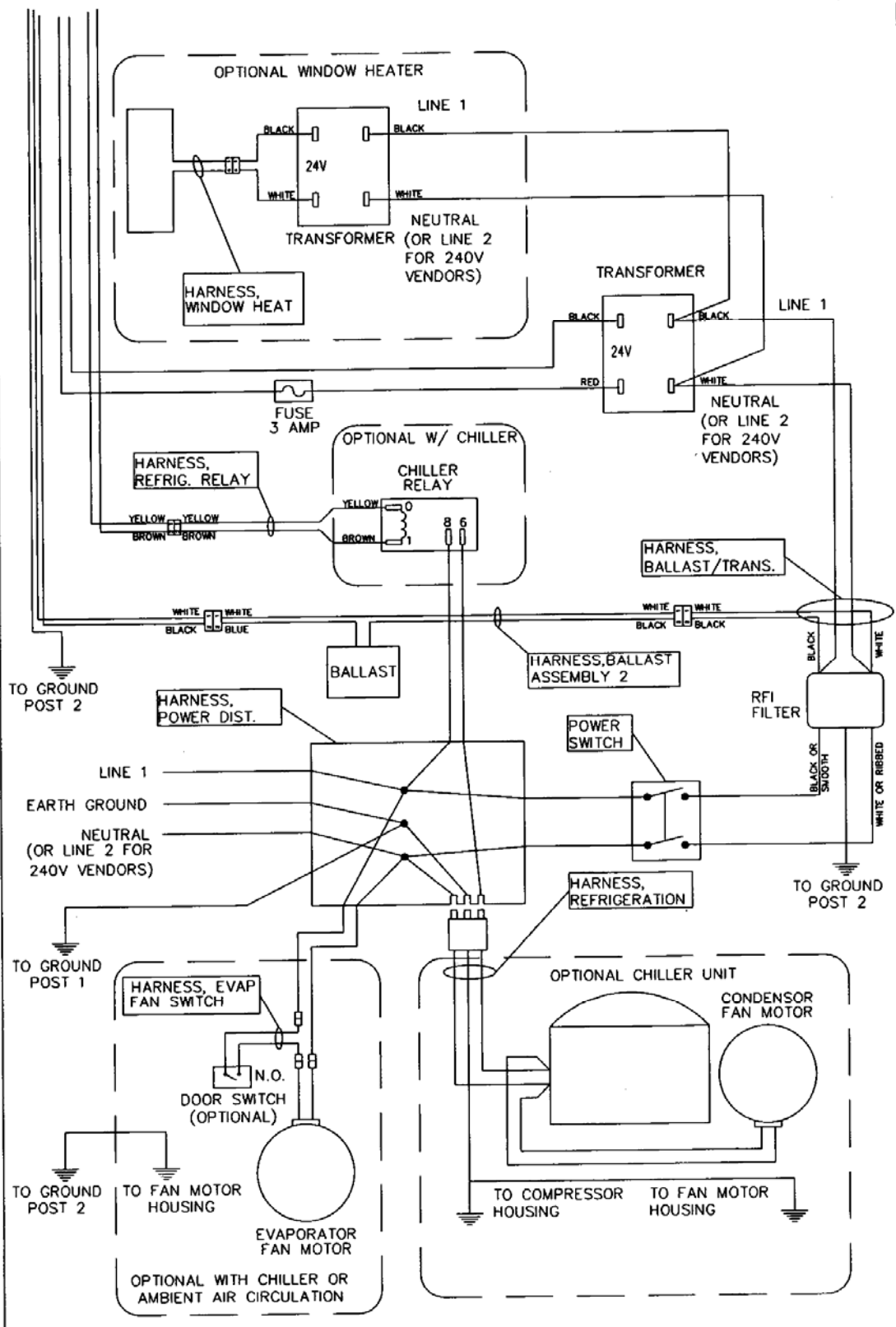
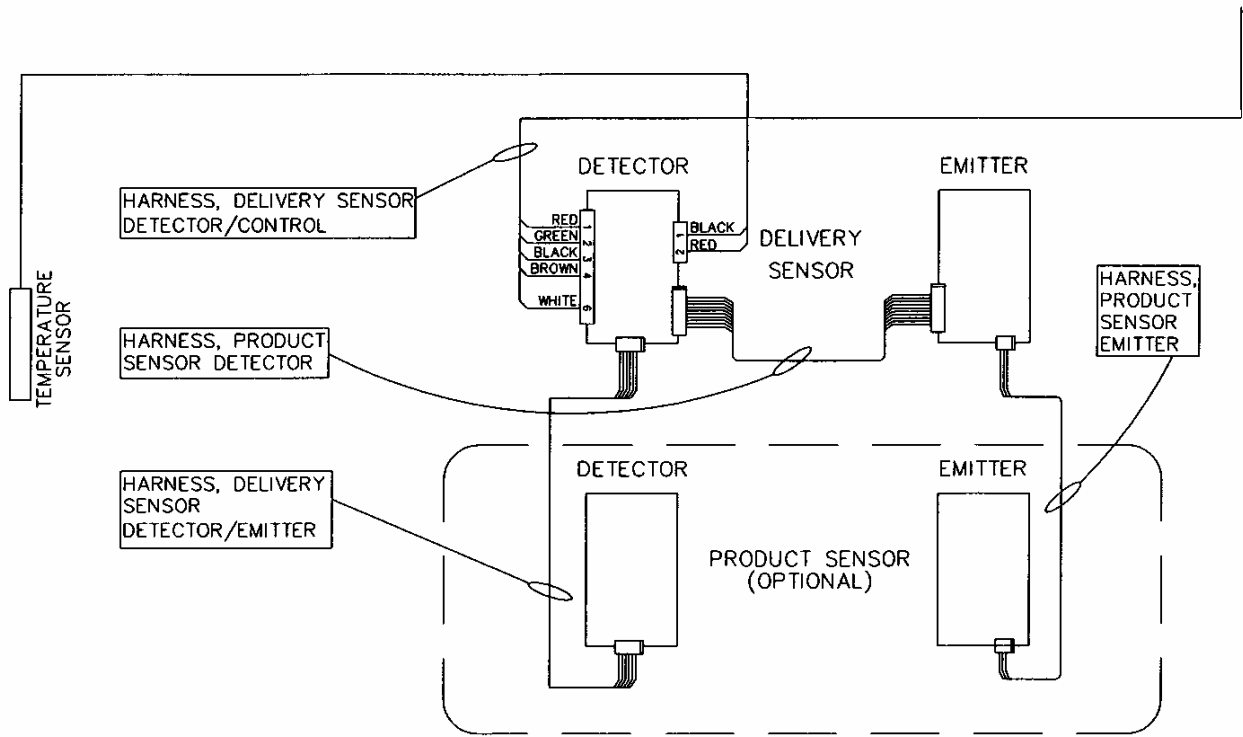


Figure 9.1 Typical Wiring Diagram, Sheet 3 of 4



FUSE REPLACEMENT - 3AG (3 AMP FAST BLOW)

Figure 9.1 Typical Wiring Diagram, Sheet 4 of 4